

Granurex[®] One-Pot Rotor Processing Insert

For Coating, Granulation, Spheronization and Powder Layering Processes

One-Pot Processing Insert

- Unique Drying Method (Patent Pending)
- Rapid Tangential Discharge of Product
- Designed for Development and Pilot Size Flo-Coaters

Superior Processing Control

- Independent Control of Airflow and Product Rotation
for Precision Granule Sizing and Coating Thickness

Complete Processing Flexibility

- Low Airflow for Coating, Spheronization, Powder Layering
and High Density Granulation
- High Airflow for Drying Product
- Optional Powder Feed System for Powder Layering

Patented Conical Rotor Plate

- Ideally Suited for Spherical Granule Processing
- Increased Production Capacity Compared to Flat Rotor Designs
- Precision-Machined Slit for Narrow Particle Size Distribution,
Superior Product Uniformity, and Fine Particle Processing

Tangential Spray Guns

- Applies Coating Material Directly Into Product Bed
- Increased Yields with Minimal Losses

Easily Removable, Portable, and Cleanable

- Used With New and Existing Flo-Coater Systems



VFC-LAB 3 with GXR-35 Insert Installed



GXR-35 Processing Insert with Conical Rotating Plate provides increased batch capacities

The GXR Insert provides the performance and capabilities of Granurex[®] technology, including a unique method of introducing drying air, into a standalone one-pot processing insert. The GXR insert can be used on both new and existing VFC Flo-Coater systems. Designed specifically to scale up to production sized Granurex[®] systems, the GXR Insert provides the most cost-effective solution for your coating, granulation, spheronization, or powder layering processes.

VECTOR CORPORATION

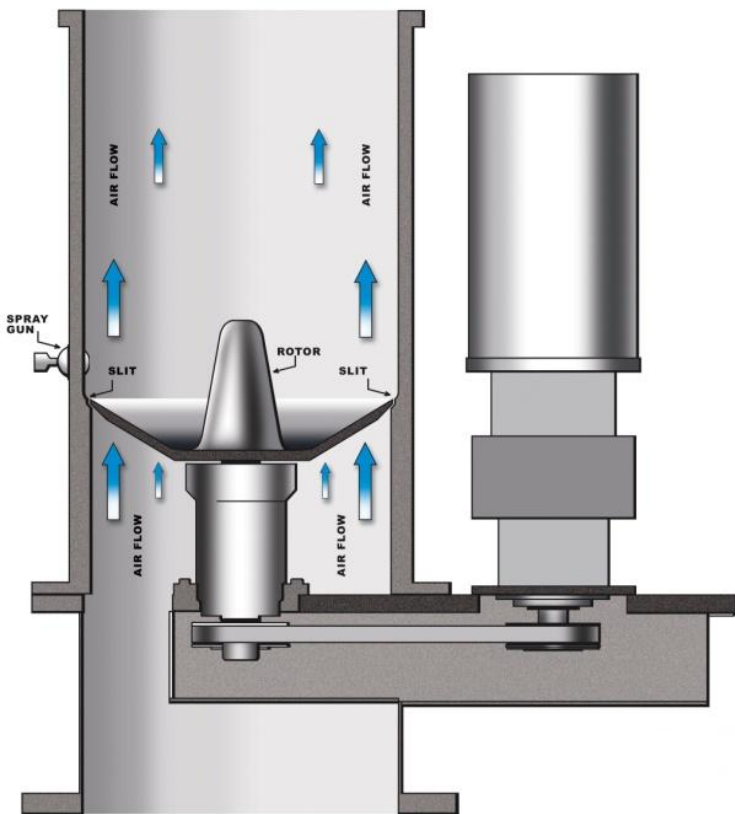
675 44th Street, Marion, IA 52302-3800

Phone: 319-377-8263 Fax: 319-377-5574

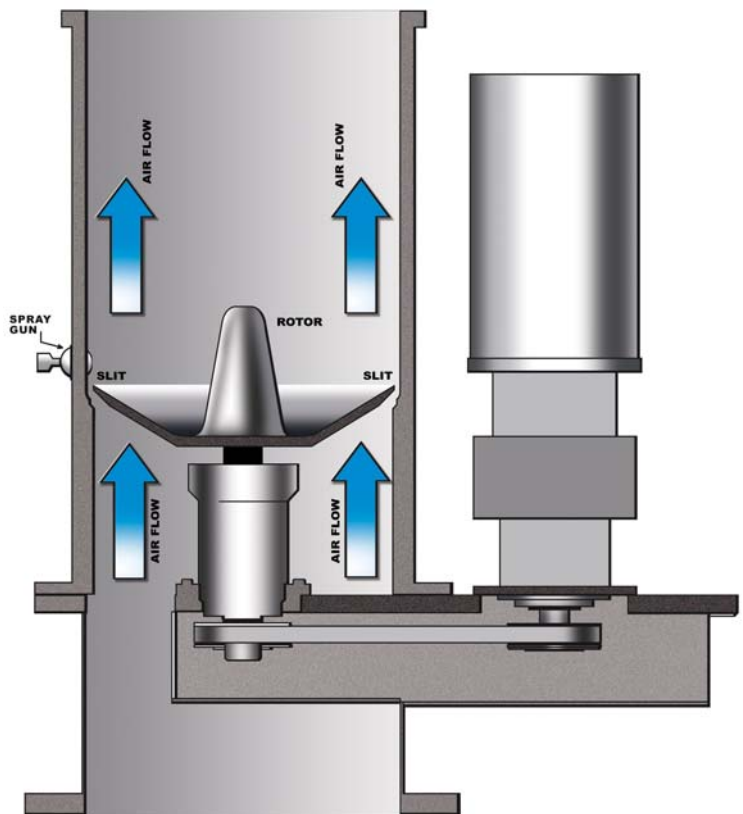
Email: vector.sales@vectorcorporation.com

www.vectorcorporation.com

GXR Insert



With the conical plate configured in the DOWN position, the GXR Insert is capable of performing Coating, Granulation, and Powder Layering processes. To maximize processing efficiencies, the airflow through the slit is minimized. An optional Powder Feeder can be added into the processing chamber for Powder Layering applications.



After the Coating, Granulation, or Powder Layering process is complete, airflow is increased through the processing insert lifting the conical plate to the UP position. High velocity airflow through the slit dries and contains the product within the rotor chamber. When fully dried, the product is tangentially discharged through the discharge port.

	GXR-20	GXR-35	GXR-65	GXR-95	GXR-125
Volume (L)	1.5	10	50	140	370
Capacity (kg)	0.5-1	4-7	15-35	33-100	85-250
Rotor Diameter (mm)	200	350	650	950	1250
Flo-Coater Size(s)	VFC-LAB 1	VFC-LAB 3 VFC-5M(X) VFC-15M(X) VFC-30M(X)	VFC-30M(X) VFC-60M(X)	VFC-60M(X) VFC-120M(X) VFC-200M(X)	VFC-200M VFC-300M

Providing equipment and processing solutions around the world since 1972, Vector is a subsidiary of Freund Corporation located in Tokyo, Japan. Globally, the Freund/Vector team has thousands of system installations in the pharmaceutical, healthcare, chemical, agricultural, and food industries.